

➤ PRODUCT DATA SHEET

JSIR 340-4

Economy MEMS C-MOSI® based infrared emitter for cost effective high volume NDIR gas sensing applications like home & building automation.



The combination of MEMS standard technologies with CMOS compatible hot-plate resistance layer enables the production at high qualified but ordinary MEMS Fab production lines.

This is the opener for high volume and cost sensitive applications. The emitter's MEMS chips with focus of cost efficiency and low thermal time constant are developed by our supplier CMOS IR. Despite the focus on mass production and mass production applications, the emitter impresses with its high radiant power at hot plate temperatures of up to 800 °C and short time constants.

JSIR 340 sources are available in T0 packaging versions with cap or SMD package. The focus on SMD packages enables an effective automatic assembly process for our customers.

FEATURES

- Cost efficient components standard MEMS technologies and CMOS compatible
- Effective automatic assembly process with SMD packages
- Hot-plate temperatures up to 800 °C appropriate radiation output
- High modulation depth due to low thermal mass

APPLICATIONS

- NDIR gas detection
- Photoacoustic gas spectroscopy
- DIR & ATR spectroscopy

TARGET GASES

- CO₂, CH₄, C₃H₈, C₂H₅OH
- Other infrared active gases

PRODUCT DATA SHEET > IR sources > JSIR 340-4 | © Micro-Hybrid-Electronic GmbH | 2020-10

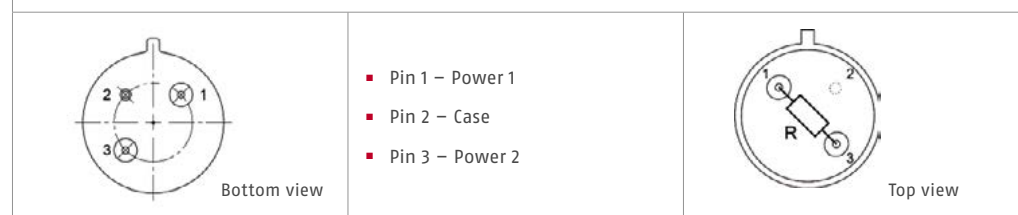
All rights reserved. All specifications – technical included – are subject to change without notice. No liability is accepted for any consequential losses, injury or damage resulting from the use of this document or from any omissions or errors herein.

 INFRARED COMPONENTS
AND SYSTEMS

Technical data

Technical parameter	Open	Unit
Spectral output range	2 - 15	μm
Active area	2.2 x 2.2	mm ²
Hot resistant ¹	19 ± 5	Ω
Temperature coefficient ²	typ. 1250	ppm/K
Time constant _{0-63 %}	typ. 15	ms
Nominal power consumption ³	650	mW
Operation voltage ⁴	typ. 3.5	V
Operation current ⁴	typ. 185	mA
Recommended driving mode	Power mode	
Active area temperature ^{1,5}	650 ± 30	°C
Window/filter	w/o	
Housing	T039 (modified)	
Estimated lifetime ⁶	> 5000 h at 740 °C	
	> 100000 h at 650 °C	
Absolute max. ratings		
Input power ^{3,5}	1000	mW
Housing temperature	200	°C
Active area temperature	800	°C

Pin out

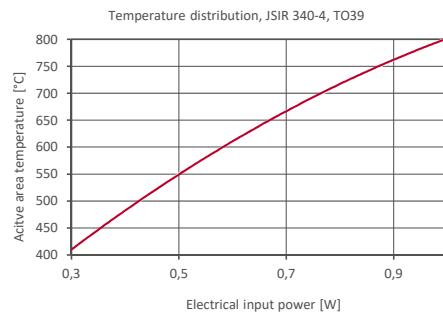
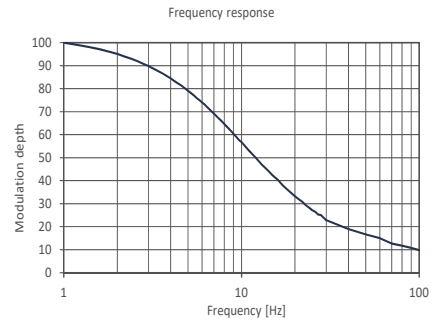
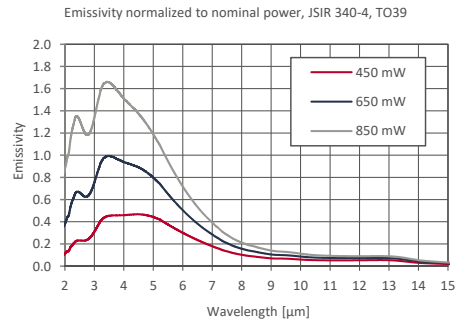


- Pin 1 – Power 1
- Pin 2 – Case
- Pin 3 – Power 2

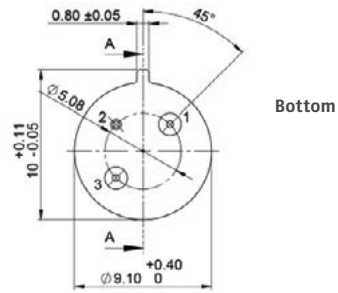
¹ at nominal power
² 0 °C - 700 °C
³ at power on-state

⁴ with 19 Ω
⁵ at T_{amb} = 25 °C
⁶ at 1 Hz, 50 % duty cycle, MTF 63 % (membrane fracture, preliminary results)

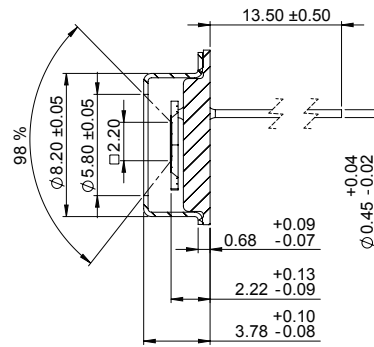
Typical operating characteristics of IR sources › JSIR 340-4



Mechanical drawings



AA - JSIR 340 cap open



all geometrical dimensions in mm

Product overview

Article	Type	Filling gas	Temp. min	Temp. max	Aperture	Filter	Active area
JSIR340-4-AL-C-D5.8-0-0	S T039 with cap		-20 °C	85 °C	5.8 mm	w/o	2.2 x 2.2 mm ²

S in stock

Micro-Hybrid's offer includes IR emitter of our subsidiaries **NOVA IR** and **CMOSIR**.
All IR emitters are supplied in a T0 or SMD housing. We ship from stock and on demand.

NOVA IR and **CMOSIR** are companies of Micro-Hybrid Electronic GmbH.