

INPHENIX

Product Specification, Revision 2.2

Super-Luminescent Light Emitting Diode (SLD)

TO CAN Packaged Devices



Features

- High power and broad band
- Low coherence length
- Uncooled & Cooled TO package
- Monitor PD is an option

Applications

- High Voltage & Current Monitor
- Optical Fiber sensor systems
- Optical communication

IPSDT1502 SLD TO CAN Specifications (T_{case}=25°C)

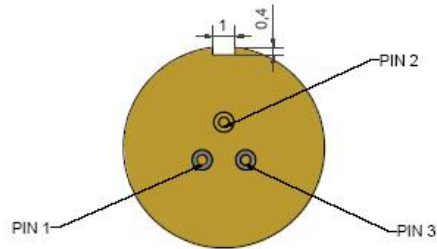
Parameter	Min.	Typ.	Max.	Unit	Test Condition
Central Wavelength	1520	1550	1570	nm	
3 dB Bandwidth	45	50	-	nm	
Output Power	2	3	-	mW	Flat Window Output
Operating Current	-	150	200	mA	
Forward Voltage	-	-	-	V	
Spectral Ripple	-	0.2	0.5	dB	
Beam Spread Angle:	-	-	-		
- Parallel	-	30	35	degree	
- Vertical	-	35	40	degree	

Detailed Information about operation/storage temperature available upon request.

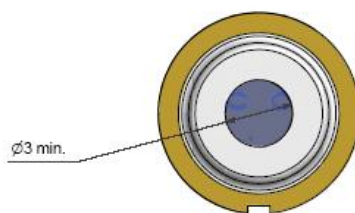
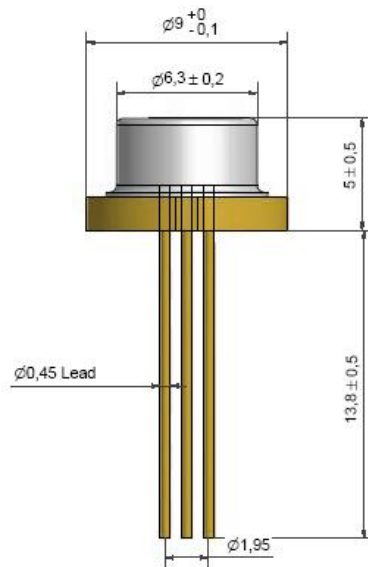
All information contained herein is believed to be accurate and is subject to change without notification. No responsibility is assumed. InPhenix and the InPhenix logo are trademarks of InPhenix Inc. All rights are reserved.

INPHENIX

Product Specification, Revision 2.2



Pin#	Connection
1	SLD Anode
2	SLD Cathode, PD Cathode and Case
3	PD Anode

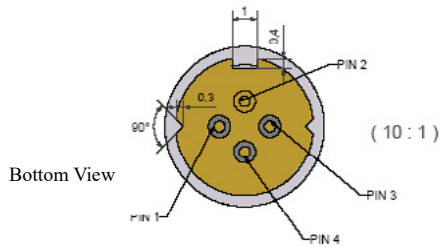


$\varnothing 9$ mm TO-CAN (TO5/TO9/TO39)

All information contained herein is believed to be accurate and is subject to change without notification. No responsibility is assumed. InPhenix and the InPhenix logo are trademarks of InPhenix Inc. All rights are reserved.

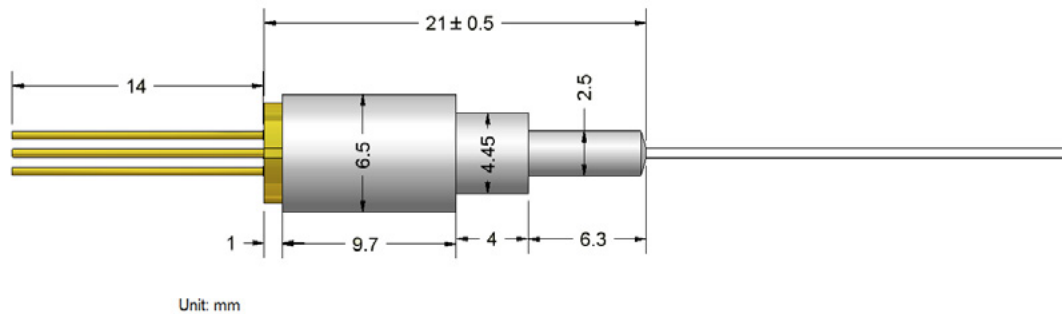
INPHENIX

Product Specification, Revision 2.2



Pin#	Connection
1	PD Anode
2	SLD Cathode, PD Cathode and Case
3	SLD Anode
4	

Pigtail Information	
Connector	TBD
Fiber	SMF
Fiber Length	0.5 m



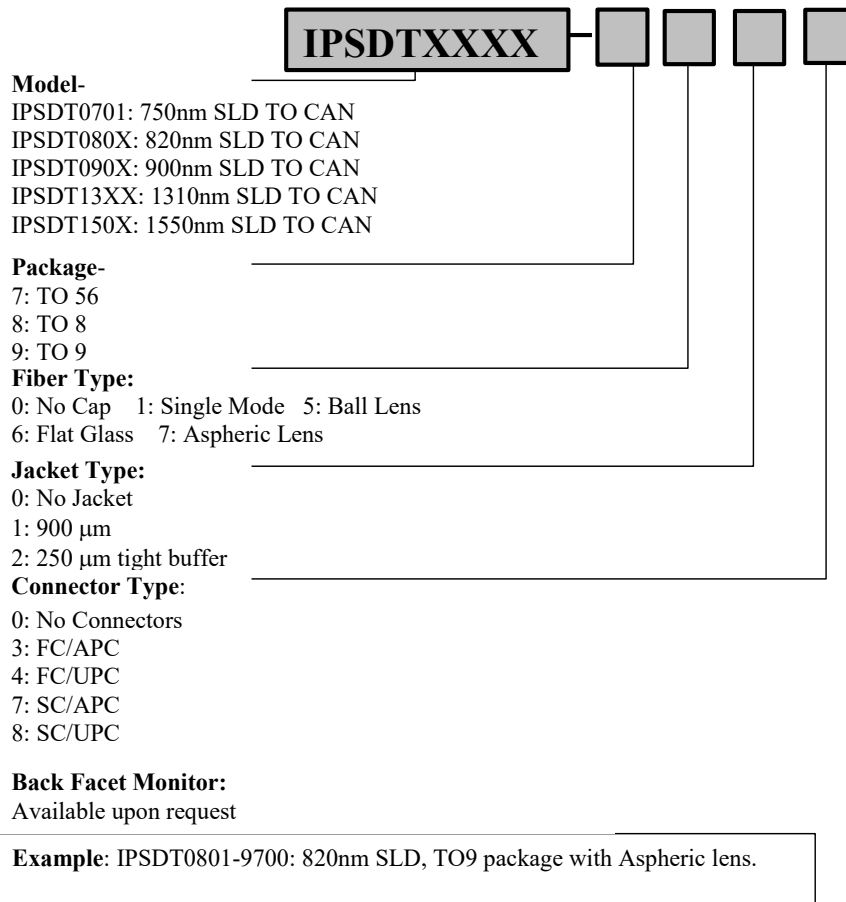
φ5.6 mm Pigtailed Coaxial Device (TO56 Header)

All information contained herein is believed to be accurate and is subject to change without notification. No responsibility is assumed. InPhenix and the InPhenix logo are trademarks of InPhenix Inc. All rights are reserved.

INPHENIX

Product Specification, Revision 2.2

Part Numbering System



All information contained herein is believed to be accurate and is subject to change without notification. No responsibility is assumed. InPhenix and the InPhenix logo are trademarks of InPhenix Inc. All rights are reserved.