

**iC-HN iCSY HN1M**  
HIGH-SPEED MODULE

*preliminary*

Rev A1, Page 1/4

**ORDERING INFORMATION**

Type	Package	Options	Order Designation
iC-HN	HN1M (DIL28)	-	iC-HN iCSY HN1M

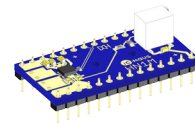


Figure 1: HN1M Package (DIL28)

**PIN CONFIGURATION**

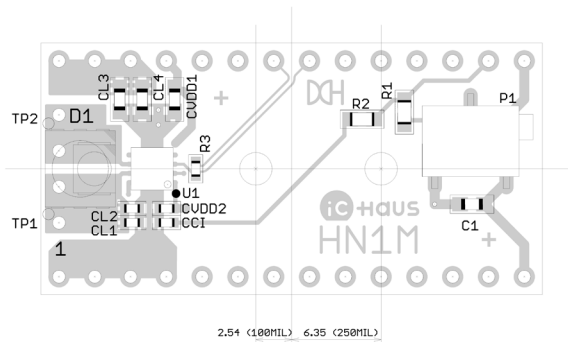


Figure 2: Top view / Dimensions in mm

No	Name	Function	No	Name	Function
1	GND	Ground, Analog Ground	15	VCI	Current control voltage Potentiometer
2	GND	Ground, Analog Ground	16	CI	Current control voltage
3	GND	Ground, Analog Ground	17	GND	GND Potentiometer
4	GND	Ground, Analog Ground	18	GND	GND Potentiometer
5	nc	not connected	19	nc	not connected
6	nc	not connected	20	nc	not connected
7	nc	not connected	21	EP	Positive LVDS switch input
8	nc	not connected	22	EN	Negative LVDS switch input
9	nc	not connected	23	nc	not connected
10	nc	not connected	24	nc	not connected
11	nc	not connected	25	VDD	Supply Voltage
12	nc	not connected	26	VLDA	Laser Supply Voltage
13	nc	not connected	27	VLDA	Laser Supply Voltage
14	VCI	Current control voltage Potentiometer	28	VLDA	Laser Supply Voltage

Copyright © 2017 iC-Haus

**iC-HN iCSY HN1M  
HIGH-SPEED MODULE**

*preliminary*

Rev A1, Page 2/4

**SMT POSITIONS**

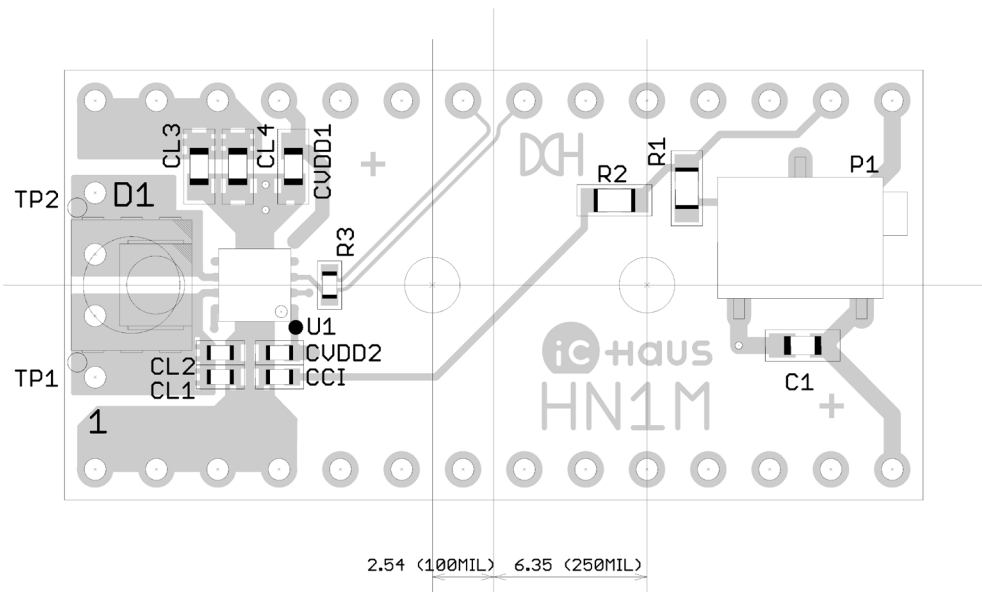


Figure 3: SMT Positions

**iC-HN iCSY HN1M**  
HIGH-SPEED MODULE

*preliminary*

Rev A1, Page 3/4

**SCHEMATICS**

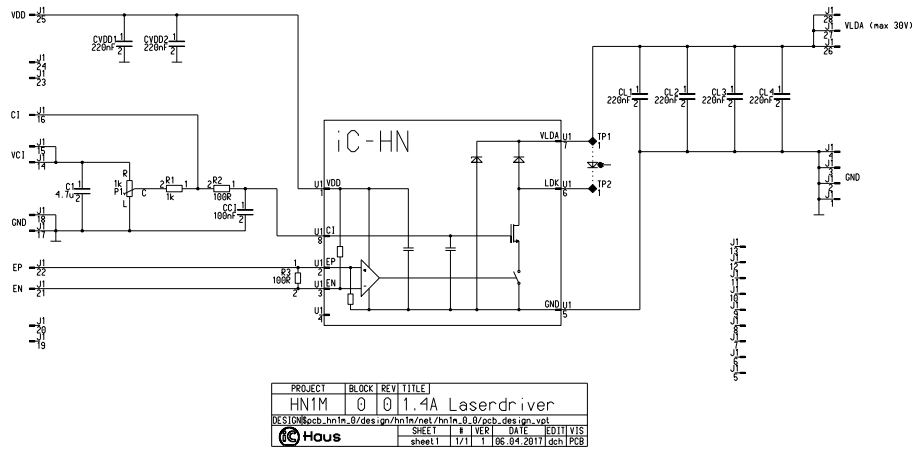


Figure 4: Circuit diagram

**ABSOLUTE MAXIMUM RATINGS**

Item No.	Symbol	Parameter	Conditions	Min.	Typ.	Max.	Unit
				-20		85	
TG1	Ta	Operating Ambient Temperature Range		-20		85	°C
TG2	Ts	Storage Temperature Range		-20		85	°C

**iC-HN iCSY HN1M**  
HIGH-SPEED MODULE

*preliminary*

Rev A1, Page 4/4

iC-Haus expressly reserves the right to change its products and/or specifications. An Infoletter gives details as to any amendments and additions made to the relevant current specifications on our internet website [www.ichaus.com/infoletter](http://www.ichaus.com/infoletter) and is automatically generated and shall be sent to registered users by email. Copying – even as an excerpt – is only permitted with iC-Haus' approval in writing and precise reference to source.

The data specified is intended solely for the purpose of product description and shall represent the usual quality of the product. In case the specifications contain obvious mistakes e.g. in writing or calculation, iC-Haus reserves the right to correct the specification and no liability arises insofar that the specification was from a third party view obviously not reliable. There shall be no claims based on defects as to quality in cases of insignificant deviations from the specifications or in case of only minor impairment of usability.

No representations or warranties, either expressed or implied, of merchantability, fitness for a particular purpose or of any other nature are made hereunder with respect to information/specification or the products to which information refers and no guarantee with respect to compliance to the intended use is given. In particular, this also applies to the stated possible applications or areas of applications of the product.

iC-Haus products are not designed for and must not be used in connection with any applications where the failure of such products would reasonably be expected to result in significant personal injury or death (*Safety-Critical Applications*) without iC-Haus' specific written consent. Safety-Critical Applications include, without limitation, life support devices and systems. iC-Haus products are not designed nor intended for use in military or aerospace applications or environments or in automotive applications unless specifically designated for such use by iC-Haus.

iC-Haus conveys no patent, copyright, mask work right or other trade mark right to this product. iC-Haus assumes no liability for any patent and/or other trade mark rights of a third party resulting from processing or handling of the product and/or any other use of the product.

Software and its documentation is provided by iC-Haus GmbH or contributors "AS IS" and is subject to the ZVEI General Conditions for the Supply of Products and Services with iC-Haus amendments and the ZVEI Software clause with iC-Haus amendments ([www.ichaus.com/EULA](http://www.ichaus.com/EULA)).