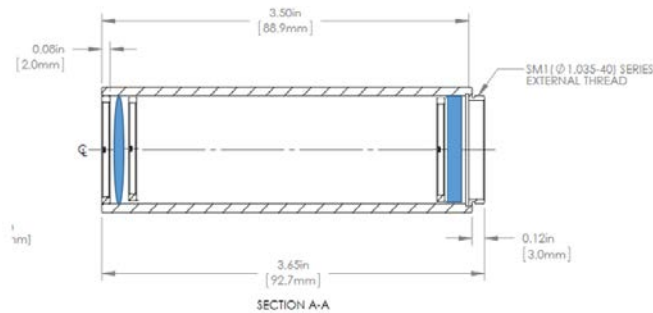


Data sheet Col_RD-001-Q

Optical properties	Value
Wavelength	532 nm
Incident beam size	<3 mm*
Incident beam mode	MultiMode or Single Mode**
Glass material: DOE/Lens	Fused Silica/ BK7
Collimation length	> 200 mm
Output Shape	Round
Output Size	7.8 mm
Coating	AR/ AR
Optomechanical properties	
Module length	92.7 mm
External Diameter	30.5 mm

*Smaller beam has better effect on collimation length and shape contrast

** For highly coherent laser speckles will appear



Copyright © 2017 Holo/Or LTD – Design and manufacture of diffractive optical elements

This document is the sole and exclusive property of HOLO/OR LTD. Not to be distributed or divulged without prior written agreement